

## INTRODUCTION

Thank you for choosing the PT-1230PC. Your new P-touch labeler uses P-touch Editor Lite software, which is already installed on your labeler. There is no need to install any software or drivers onto your PC in order to make creative labels. This manual includes important precautionary information and simple instructions for operating your new P-touch labeler. Be sure to read the instructions before use and use the product in accordance with these instructions. Keep this manual handy for future reference.

## Federal Communications Commission (FCC) Declaration of Conformity (For USA Only)

Responsible Party: Brother International Corporation 100 Somerset Corporate Boulevard Bridgewater, NJ 08807-0911 USA  
TEL: (908) 704-1700

declares that the product: Product Name: P-touch Labeler PT-1230PC  
Model Number: PT-1230PC

This device complies with Part 15 of the FCC Rules. Operation is subject to the following two conditions: (1) this device may not cause harmful interference, and (2) this device must accept any interference received, including interference that may cause undesired operation.

This equipment has been tested and found to comply with the limits for a Class B digital device, pursuant to Part 15 of the FCC Rules. These limits are designed to provide reasonable protection against harmful interference in a residential installation. This equipment generates, uses and can radiate radio frequency energy and, if not installed and used in accordance with the instructions, may cause harmful interference to radio communications. However, there is no guarantee that interference will not occur in a particular installation. If this equipment does cause harmful interference to radio or television reception, which can be determined by turning the equipment off and on, the user is encouraged to try to correct the interference by one or more of the following measures:

- Reorient or relocate the receiving antenna.
- Increase the separation between the equipment and receiver.
- Connect the equipment into an outlet on a circuit different from that to which the receiver is connected.
- Consult the dealer or an experienced radio/TV technician for help.
- Changes or modifications not expressly approved by Brother Industries, Ltd. could void the user's authority to operate the equipment.
- The enclosed interface cable should be used in order to ensure compliance with the limits for a Class B digital device.

## SAFETY PRECAUTIONS

### WARNING

- Always use the specified voltage and the suggested AC adapter (AD-24) for this machine to prevent any damage or failure.
- Unplug the power cord immediately and stop using the P-touch labeler during an electrical storm. There may be a remote risk of electric shock from lightning.
- Do not use the AC adapter in places of high humidity such as bathrooms.
- Do not overload the power cord.
- Do not place heavy objects on, or damage the power cord or plug. Do not forcibly bend or pull the power cord. When disconnecting the power cord from the power outlet, always hold the plug.
- To prevent fire or electric shock, make sure that the plug is fully inserted to the power outlet. Do not use an outlet that is loose.
- Do not get the machine/AC adapter/power plug wet, such as by handling them with wet hands or spilling beverages on to them.
- Do not disassemble or modify P-touch labeler/AC adapter/batteries.
- Do not use metallic articles, such as tweezers or a metallic pen, when exchanging the batteries.
- Do not throw into fire or heat up the battery.
- Disconnect the AC adapter, remove batteries and stop using immediately if you notice any abnormal odor, heat, discoloration, deformation or anything unusual while in use, or in storage.

### CAUTION

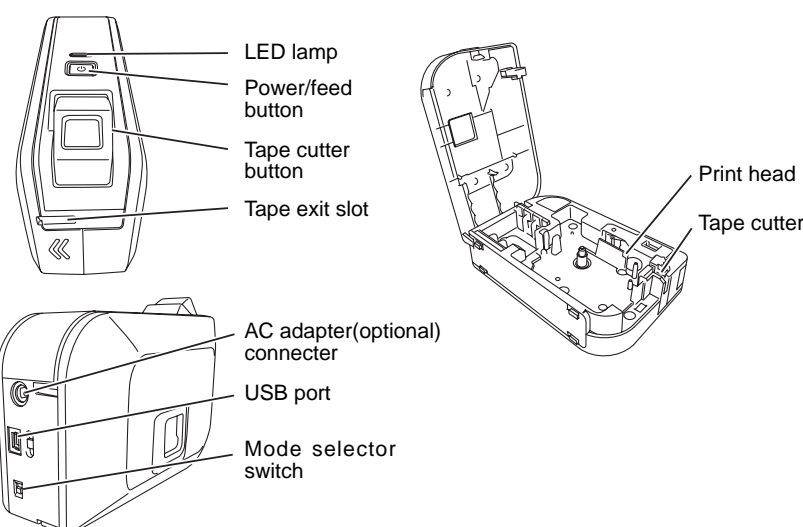
- To avoid injuries, do not touch the blade of the cutter unit or any metal parts near the print head.
- Do not apply excessive pressure to the cutter lever.
- Remove the batteries and disconnect the AC adapter if you do not intend to use P-touch labeler for an extended period of time.
- Do not use old and new batteries together or mix alkaline batteries with other type batteries, or set the positive and negative end in the wrong position. Otherwise, the batteries may leak or be damaged.
- To prevent damage or breakage, do not drop or hit P-touch labeler/AC adapter.
- Use only the USB cable included with the P-touch labeler.

### General Precautions

- Depending on the location, material, and environmental conditions, the label may unpeel or become irremovable, the color of the label may change or be transferred to other objects. Before applying the label, check the environmental condition and the material.
- Do not use the P-touch labeler in any way or for any purpose not described in this guide. Doing so may result in accidents or damage the machine.
- Use only Brother TZ tapes with this machine. Do not use tapes that do not have the mark.
- Do not clean P-touch labeler with alcohol or other organic solvents. Only use a soft, dry cloth.
- Do not touch the print head with your fingers anytime to prevent from a burn. Use a soft wipe (e.g. a cotton swab) when cleaning the print head.
- Do not put any foreign objects into the tape exit slot or AC adapter connector, etc.
- Do not place the P-touch labeler/battery in direct sunlight or rain, near heaters or other hot appliances, in any location exposed to extremely high or low temperatures (e.g. on the dashboard or in the back of your car), high humidity, or dusty locations.
- Do not try to print labels using an empty tape cassette in the P-touch labeler. Doing so will damage the print head.
- Do not pull the tape being fed from the P-touch labeler, otherwise the tape cassette or P-touch labeler may be damaged.

## Getting Ready

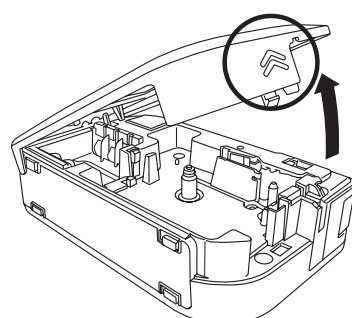
### 1 Review the names of P-touch labeler parts.



The PT-1230PC has 2 mode selector settings - "EL" and "E". The mode selector switch is pre-set at the factory to the EL mode, for use with P-touch Editor Lite. For E mode, you need to download P-touch Editor 5.0 and the required drivers. For details on how to download the P-touch Editor 5.0, see "Starting P-touch Editor 5.0" below.

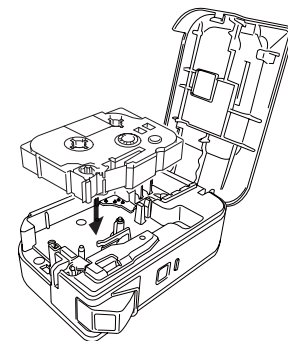
### 2 Install a TZ tape cassette.

#### 1 Open the cassette cover.



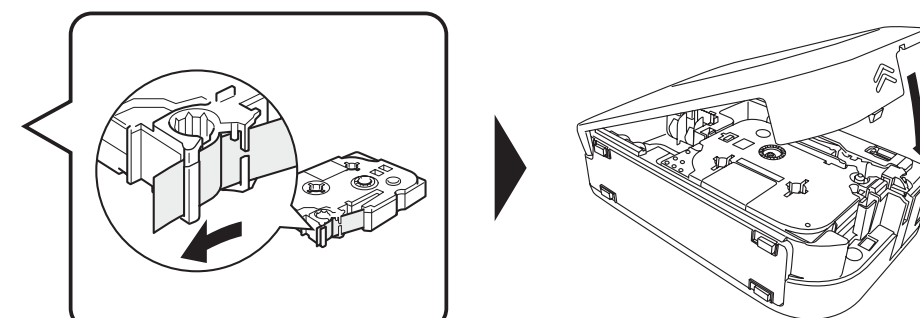
Verify that the P-touch labeler is turned off. Open the cassette cover as shown by the arrow in the above illustration while pressing the part marked "<<".

#### 2 Insert a tape cassette.



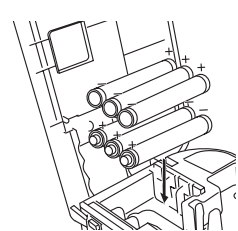
Insert a TZ tape cassette as shown in the above illustration.

#### 3 Close the cassette cover.

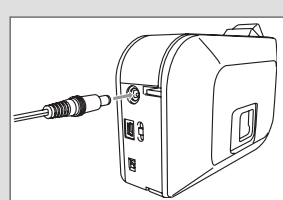


- Make sure that the end of the tape feeds under the tape guides.
- If the ink ribbon is loose, use your finger to wind the toothed wheel in the direction of the arrow on the cassette.
- Use only Brother TZ tapes with the P-touch labeler.
- For initial use of the tape, install the tape, press and hold the power/feed button to feed the tape. Then, push in the tape cutter lever to cut the tape.

### 3 Connect the P-touch labeler's power supply.



Insert six new AAA alkaline batteries (LR03), making sure that their poles point in the correct directions. Always replace all six batteries at the same time using brand new ones.



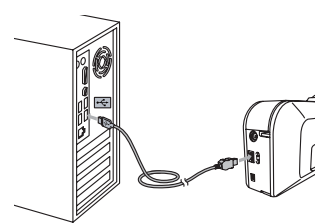
When using the optional AC adapter (AD-24), insert the plug on the adapter cord into the adapter jack on the bottom end of the P-touch labeler. Insert the plug into the nearest standard electrical outlet.

### Auto Power Off Function

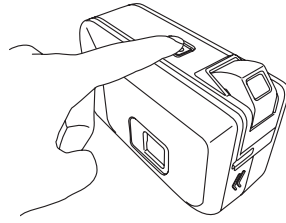
When the P-touch labeler is operating on battery power only, it will turn off automatically if not used for a period of 20 minutes. The message "Unsafe Removal of Device" may be displayed depending on the Operating System running on your PC. Any data being displayed will be saved. When you turn the labeler back on, click on the Editor Lite icon to resume creating your label.

### 4 Connect the USB cable and start P-touch Editor Lite.

#### 1 Connect the USB cable.



#### 2 Turn on the P-touch labeler. The LED lamp will light up.



#### 3 Windows® 2000 User



Go to **My Computer** and open Removable Disk, then start P-touch Editor Lite by double-clicking **PTLITE10.EXE**.

#### 3 Windows® XP User



Pop-up Window Appears. Select **P-touch Editor Lite** and click **OK**.

#### 3 Windows Vista® User



Pop-up Window Appears. Click **P-touch Editor Lite**.

It will take longer than usual to start P-touch Editor Lite when connecting P-touch labeler to your computer for the first time. If the software does not start automatically when you connect the machine, you may launch it from **My Computer**. Start P-touch Editor Lite by double-clicking **PTLITE10.EXE**.

#### 4 P-touch Editor Lite starts immediately.



For details on using P-touch Editor Lite, see the back of this sheet.

### Recommended When using Windows Vista®

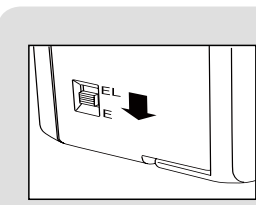
When connecting the device for the first time, perform the scan and then select the **Always do this for software and games** check box on the dialog box displayed when the scan completes. P-touch Editor Lite will start automatically the next time you connect the P-touch labeler.

\*Microsoft Windows and Windows Vista are registered trademarks of Microsoft Corporation in the United States and other countries.  
\*The name of other software or products used in this document are trademarks or registered trademarks of the respective companies that developed them.

### How to disconnect the P-touch labeler

- Exit P-touch Editor Lite by clicking on the at the top right.
- To disconnect the labeler, click the icon in the computer's task bar (, , or ).
- Click **Safely remove USB Mass Storage Device**.
- When **The device can be safely removed** is displayed, turn off the P-touch labeler and disconnect the USB cable.

### Starting P-touch Editor 5.0



Move the mode selector switch on the back of the P-touch labeler to the "E" position before connecting the USB cable.

If you would like to use the more advanced software that is available for your P-touch labeler, you are able to download P-touch Editor 5.0 from the Brother web site. This advanced software will give you greater label making functionality.

**Do not connect the P-touch labeler to your PC before you begin the P-touch Editor 5.0 installation.**

**1** Download and install the PT-1230PC's driver and P-touch Editor 5.0 from Brother's website. Connect the P-touch labeler to your PC when requested during this installation.

For more information about installing the software, visit <http://solutions.brother.com/>

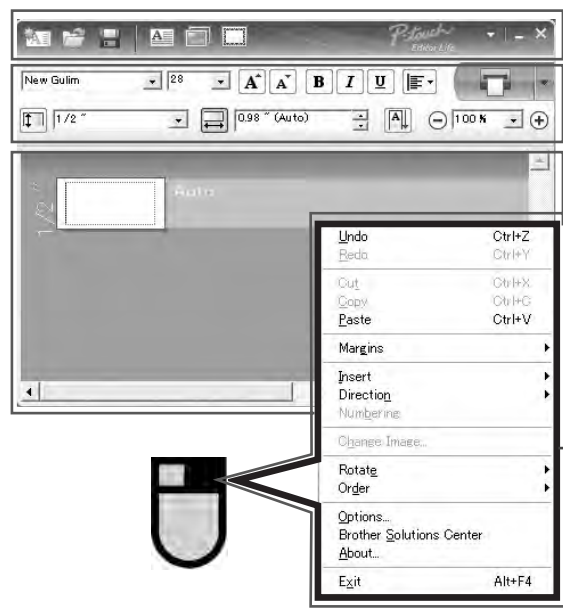
**2** Start P-touch Editor 5.0.

- Double-click the shortcut icon on the desktop (P-touch Editor 5.0).
- Click P-touch Editor 5.0 under All Programs on the Start menu.

**3** Use P-touch Editor 5.0.

If you have trouble using the software, refer to the help information available in P-touch Editor 5.0.

## P-touch Editor Lite



1  
2  
3  
4

### 1 Command Toolbar

Icon	Function
	Displays the New screen for creating a new label.
	Opens a saved file with P-touch Editor Lite.
	Saves the data to your PC, etc, but not to the labeler.
	Inserts a new text box (convenient when creating labels containing both single and multiple lines of text).
	Inserts an image onto your label. <b>From file:</b> Inserts an image stored on your PC. <b>Screen capture:</b> Inserts the selected area of the PC screen as a graphic. <b>Symbol:</b> Inserts one of your PC's built-in symbols.
	Inserts a frame.
	Displays the menu. The menu includes all P-touch Editor Lite functionality.
	Minimizes P-touch Editor Lite.
	Exits P-touch Editor Lite.

### 2 Property Toolbar

Icon	Function
	Click  to change the font.
	Click  to specify the font size. You can adjust the font size up or down one level by clicking  or .
	Specifies the font style: <b>B</b> Bold <b>I</b> Italic <b><u>U</u></b> Underline
	Specifies the alignment of text in a text box.
	Sets the width of the tape. Click  to automatically detect the width of the inserted tape.
	Sets the length of the label. Click  to automatically adjust the length of the label to accommodate the entered text.
	Sets/cancels the label direction to vertical.
	Click  to set the zoom factor for the Label View. You can also change the zoom factor by clicking  or .
	Click  to print normally or  to print with options. <b>Mirror Printing:</b> Prints a mirror image of the label. <b>Cut Mark:</b> Prints cut marks to easily mark where labels should be manually cut when printing a strip of labels or setting tape margin to none. <b>Copies:</b> Prints multiple copies of a label.

### 3 Label View

Display	Function	Display	Function
	This label view is displayed when the software is started. The width of tape currently set is displayed on the left of label image. When "Auto" is shown on the right, the length of tape is automatically adjusted to the length of text.		Inserted text boxes, images, and frames are treated as objects. Objects are surrounded by handles (indicated by eight blue points).
	You can drag the label border to manually change the length and width of the label. Move the pointer to the label area's border. When the blue line appears, drag to the desired length or width.		Indicates that an object is selected.
	You can adjust the size of the P-touch Editor Lite window. Simply move the pointer over an edge of the P-touch Editor Lite window and drag to adjust the size once the pointer changes to an arrow.		The pointer changes to an arrow when moved over a handle. You can change the size of the object by dragging.
	Guidelines are sometimes displayed when moving objects. They are shown when the object is aligned at the left, right, top, or bottom edge of Printable area, or in the center. In the illustration to the left, the guidelines indicate that the object is centered at the top edge of the tape.		You can move objects by dragging when the pointer is a crosshair. For text objects, the pointer only changes to a crosshair over the border of the object.

### 4 Other Functions (available on the menu displayed by right-clicking the mouse)

Menu	Do this
Undo Redo	Click <b>Undo</b> to undo the last operation. Click <b>Redo</b> to redo an undone operation.
Cut Copy Paste	Select the text area (or object) that you want to cut or copy and select <b>Cut</b> or <b>Copy</b> . Click in the destination area and select <b>Paste</b> .
Margins	Set the length of blank space on both sides of the label ( <b>large</b> or <b>small</b> ).
Insert	Click <b>Insert</b> . Select <b>Text box</b> to insert text onto the label. Select <b>From File</b> to insert an image stored on your PC. Select <b>Screen Capture</b> to insert the selected area of the PC screen. Select <b>Symbol</b> to insert one of your PC's built-in symbols. Select <b>Frame</b> to insert one of P-touch Editor Lite built-in frames.
Direction	Select the object text and click either <b>Horizontal Text</b> or <b>Vertical Text</b> to change the direction of the label.
Numbering	Select the number or letter within your text and click Numbering to consecutively advance the number or letter on each label.
Change Image	Select the image and click <b>Change Image</b> to replace the current image with a different image.
Rotate	Rotate objects to <b>0°, 90°, 180°</b> or <b>270°</b> .
Order	Select one of the objects and click <b>Order</b> , then select <b>Bring to Front</b> , <b>Send to Back</b> , <b>Bring Forward</b> , or <b>Send Backward</b> to set the order of each object in the layer.
Options	Click <b>Options</b> . Select either <b>mm (mm)</b> or <b>inches (in)</b> to set the measurement unit setting and option for numbering printing. Select either <b>Display New Value after Printing</b> or <b>Reset to Original Value after Printing</b> to set the numbering option.
Brother Solutions Center About Exit	Click <b>Brother Solutions Center</b> to go to the web site for assistance, information or downloading P-touch Editor 5.0. Click <b>About</b> to learn about the P-touch Editor Lite version. Click <b>Exit</b> to exit P-touch Editor Lite.

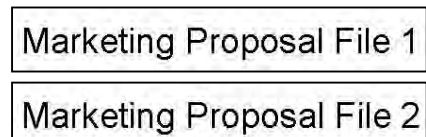
## Creating Labels

Creating a mixed 1-row/2-row label containing a symbol



- Select the tape size and enter the desired text. Insert a few spaces, then click the button.
- Enter the desired text and press the ENTER key. Enter the desired text on the second row.
- Click **Symbol** under . Select the symbol that you want to enter from the displayed dialog box.
- Click the **Print** button.

Labels with consecutive numbering



- Select the tape size and enter the desired text. Select the text for which you want to configure numbering.
- Click **Numbering** on the context menu.
- Click to the right of the **Print** button and click **Print Options**.
- Check the **Numbering** box and enter the number of labels being printed in the **Count** field. Click the **Print** button.

### Troubleshooting

Problem	Solution
After exiting P-touch Editor Lite, how do I restart the program while the machine is still on?	There are three ways to restart. Perform any of the followings. • Turn off the P-touch labeler and then turn it back on. • Disconnect and then reconnect the USB cable while the labeler is on. • Launch P-touch Editor Lite from <b>My Computer</b> .
The LED is flashing.	This is an error message. Please press the Power/feed button to clear the error message. If the LED remains flashing after performing the above, please contact Brother Customer Service for further assistance.
I cannot turn the P-touch labeler on.	Check to see that the batteries are installed correctly, or that the recommended power adapter is securely connected.
I cannot exit P-touch Editor Lite.	Check to see if an error message is displayed, and try to resolve. Please note that the software cannot be exited while labels are being printed.
A blank horizontal line appears through the printed label.	Streaks or poor quality characters on printed labels generally indicate that the print head is dirty. Clean the print head using a cotton swab. * Do not touch the print head directly with your bare hands.
The label is difficult to cut.	Clean the cutter blade using a cotton swab moistened with alcohol. * Do not touch the cutter blade directly with your bare hands.

### Specifications

Item	Specification
Dimension	2.1"(W)×6.2"(D)×4.4"(H)
Weight	0.88lb (without batteries and tape cassette)
Power supply	Six AAA alkaline batteries (LR03) or optional AC adapter (AD-24)
USB port	USB mini B type

### System Requirements PC

Item	Specification
Operating System	Microsoft Windows® 2000 Professional/XP/Windows Vista®
System Memory	128MB minimum (Windows Vista - 512MB minimum)
Interface	USB Port (USB Spec. 1.1 or 2.0 protocol)
Graphics Card	SVGA

### Accessories (Supplies may differ by distribution)

Accessories	Stock No.
Tape cassette	Brother TZ tape (width) : 9/64", 1/4", 3/8", 1/2" For details, see the included "Supplies and Accessories Guide".
AC Adapter	AD-24
Cutter Unit	TC-5 (replacement)

If the cutter blade becomes blunt after repetitive use and the tape cannot be cut cleanly, replace it with a new cutter unit (stock no. TC-5) by obtaining from an authorized Brother reseller.

**CAUTION**  
Do not touch the cutter blade directly with your bare hands.

Should you encounter any problems with your product, please do not return your product to the store!

After referring to the User's guide, if you still need assistance, call Brother Customer Service at :  
Voice: 1-877-4-PTOUCH Web: www.brother.com Fax: 1-901-379-1210

If you need to locate a service center, please call 1-800-284-HELP or visit us at www.brother.com